



JETSPRAY™ MODEL JT20

2 FLAVOR

VISUAL DISPLAY DISPENSER



FEATURES

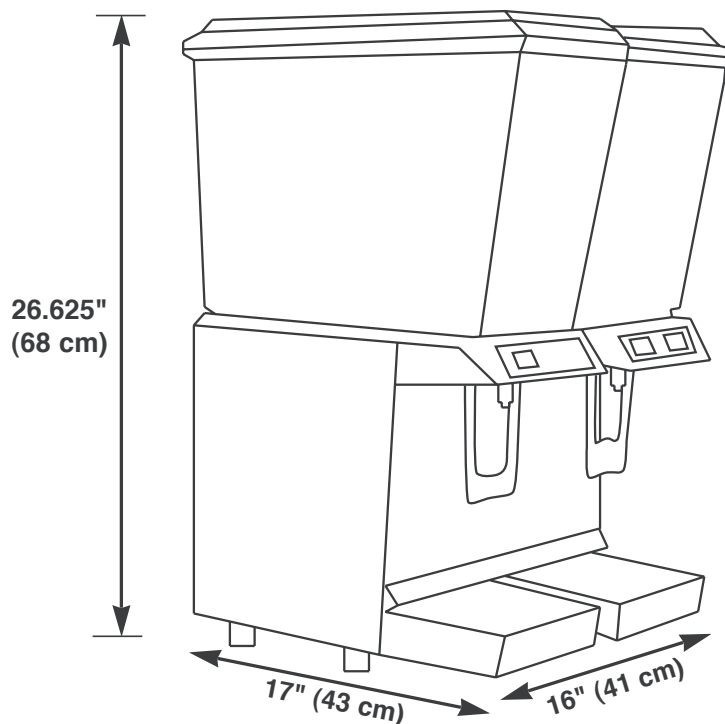
Boost Sales - Visual display dispensing system creates impulse sales

Flexibility - Choice of Standard or Premium models
Interchangeable 3 (11 L) and 5 (19 L) gallon bowls mix and match to meet variable product demand

Options - Unique pinch tube system reliably dispenses all types of beverages, including those with heavy pulp

No downtime - any one bowl can be removed and sanitized while the continues to dispense

Ease of use - Easy cleaning and maintenance



PART NUMBER	DESCRIPTION
721001213	Cold Beverage Dispenser JT20 Visual Two Bowl, 5 Gal Paddle Agitation (no spray), Domed Evaporator, Black Cladding, 115V/60Hz
A8420	Cold Beverage Dispenser JT20 Visual Two Bowl, 5 Gal Spray Type White Cladding, 115V / 60Hz
A8430	Cold Beverage Dispenser JT20 Visual Two Bowl, 5 Gal Spray Type White Cladding, 230V / 50Hz
A8450	Cold Beverage Dispenser JT20 Visual Two Bowl, 5 Gal Spray Type White Cladding, 230V / 60Hz

TECHNICAL SPECIFICATIONS

CABINETY White plastic (Standard),
Black plastic (Premium)
and stainless steel

BEVERAGE BOWL & COVER Transparent, virtually
unbreakable LEXAN®
resin, with US gallon
and liter markings

BEVERAGE CAPACITY Large Bowl: ~10 gal (38 L)
Small Bowl: ~6 gal (22.8 L)

CUP CLEARANCE 9"

REFRIGERATION Jet Spray 1/5 HP
hermetically sealed
system R134a

PACKAGING Packed in 3 cartons,
1 for base and 2 for bowls

NET WEIGHT JT Series: 52 lb (23.6 kg)

SHIPPING WEIGHT JT Series: 62 lb (28.2 kg)

AGENCY LISTINGS



IN THE U.S.A.
Ph: 800.238.3600
Fax: 800.258.0255

OUTSIDE THE U.S.A.
Ph: 763.488.8200
Email: webmaster@cornelius.com

101 Broadway Street West
Osseo, MN 55369
www.cornelius.com