



ENDURO 300

POST-MIX ICE DRINK DISPENSER



FEATURES

Large ice capacity - 300 lb. ice capacity

Choices - Available with 12 UFB-1™ sanitary lever or push button valves

Merchandising - Illuminated merchandiser delivers unique, high impact marketing message

Ice - Gravity ice dispensing with positive shut-off provides excellent ice targeting

Two separate ice dispensing chutes.

Ice used to cool cold plate is separate from ice dispensed into cups

ADA Compliant - Unit with UFB Sanitary lever meets ADA guidelines on a 34" counter

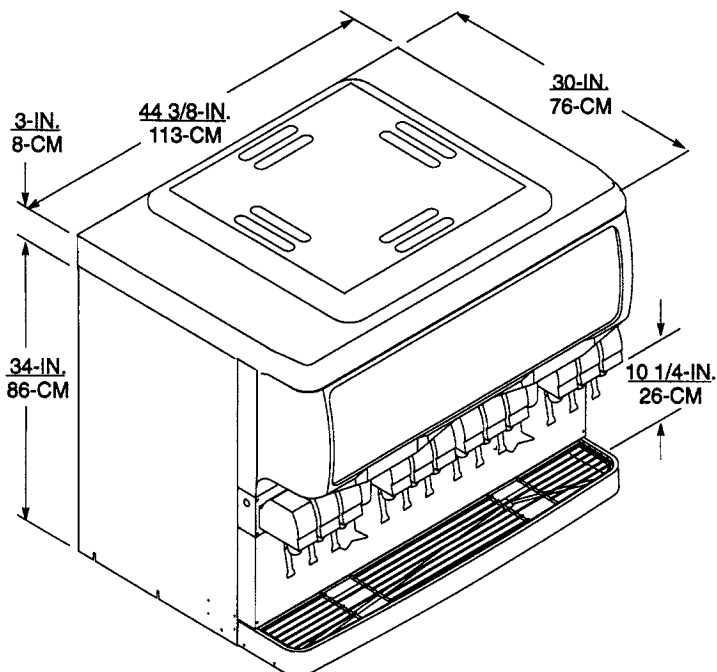
Durable – easily changes from carbonated to non-carbonated One piece ABS thermoformed plastic (Durabide™ design) provides durability and ensures all ice in hopper is dispensable

Flexible - Unit readily accepts top mount cubers with manual ice fill capability

Quality - Stainless steel cabinet

Ease of Use - Modular design allows for easy component access from the front of the unit

TotalFlex™ – easily changes from carbonated to non-carbonated






PART NUMBER	DESCRIPTION
02810	Ice Drink Dispenser with 12 UFB-1™ 2-4 oz Sanitary Lever Valves
02813	Ice Drink Dispenser with 12 UFB-1™ 2-4 oz Push Button Valves
08017	Leg Kit for ED300 includes six 4" legs

Unit with UFB Sanitary lever meets ADA guidelines on a 34" counter.

* If top mounting an ice maker, an ice maker adapter kit is required. Order separately.

TECHNICAL SPECIFICATIONS

ICE STORAGE CAPACITY 300 lb (136 kg)
 BEVERAGE MANIFOLDING TotalFlex
 CUP CLEARANCE 10" (25.40 cm)
 COOLING CAPACITY 10-12 oz drinks/min
 @ 75°F
 DRAIN CONNECTION 0.75" PVC (NPT) or
 1" ID flexible tubing
 ELECTRICAL RATING 115 V / 60 Hz / 5.2 Amps
 (single outlet)

GRAPHIC DIMENSIONS Overall:
 11.062"H x 38.985"W
 Viewable:
 10.249"H x 37.86"W
 STANDARD OPTIONS Beverage key switch,
 Timed ice agitation
 SHIPPING WEIGHT 430 lb (195 kg)
 Agency Listings   
 City of Los Angeles

