



ENDURO 200

POST-MIX ICE DRINK DISPENSER



FEATURES

Large ice capacity - 200 lb. ice capacity

Choices - Available with 8 UFB-1™ sanitary lever or push button valves

Merchandising - Illuminated merchandiser delivers unique, high impact marketing message

Ice - Gravity ice dispensing with positive shut-off provides excellent ice targeting
Ice used to cool cold plate is separate from ice dispensed into cups

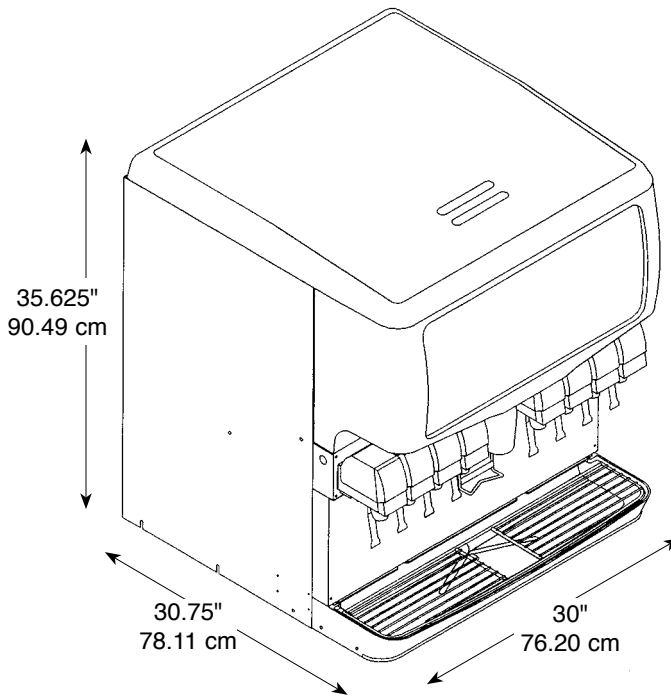
Durable – easily changes from carbonated to non-carbonated One piece ABS thermoformed plastic (Durabide™ design) provides durability and ensures all ice in hopper is dispensable

Flexible - Unit readily accepts top mount cubers with manual ice fill capability

Quality - Stainless steel cabinet

Ease of Use - Modular design allows for easy component access from the front of the unit

TotalFlex™ – easily changes from carbonated to non-carbonated






PART NUMBER	DESCRIPTION
621053108	Ice Drink Dispenser with 8 UFB-1™ 2-4 oz Sanitary Lever Valves
0511152	Ice Drink Dispenser with 8 UFB-1™ 2-4 oz Push Button Valves
621053107	Ice Drink Dispenser with 10 UFB-1™ 2-4 oz Sanitary Lever Valves
621053106	Ice Drink Dispenser with 10 UFB-1™ 2-4 oz Push Button Valves
3473	Drink dispenser stand dimensions: 30"H x 30"W x 30"D

* If top mounting an ice maker, an ice maker adapter kit is required. Order separately.

TECHNICAL SPECIFICATIONS

ICE STORAGE CAPACITY 200 lb (90.72 kg)
 ICE BEVERAGE MANIFOLDING TotalFlex
 CUP CLEARANCE 10" (25.40 cm)
 COOLING CAPACITY 10-12 oz drinks/min
 @ 75°F
 DRAIN CONNECTION 0.75" PVC (NPT) or
 1" I.D. flexible tubing
 GRAPHIC DIMENSIONS Overall:
 11.083"H x 24.794"W
 Viewable:
 10.608"H x 24.17"W

STANDARD FEATURES Beverage key switch,
 Timed ice agitation
 and 4" legs
 ELECTRICAL RATING 115 V / 60 Hz / 3.5 Amps
 SHIPPING WEIGHT 310 lb (140.61 kg)

AGENCY LISTINGS   
 City of Los Angeles

